

ILLUMINATED CHANNEL LETTERS & LOGO – SINGLE LINE FLUSH MOUNTED

THIS ARTWORK IS THE MINIMUM SIZE THE SIGNAGE CAN BE FOR THIS LAYOUT.

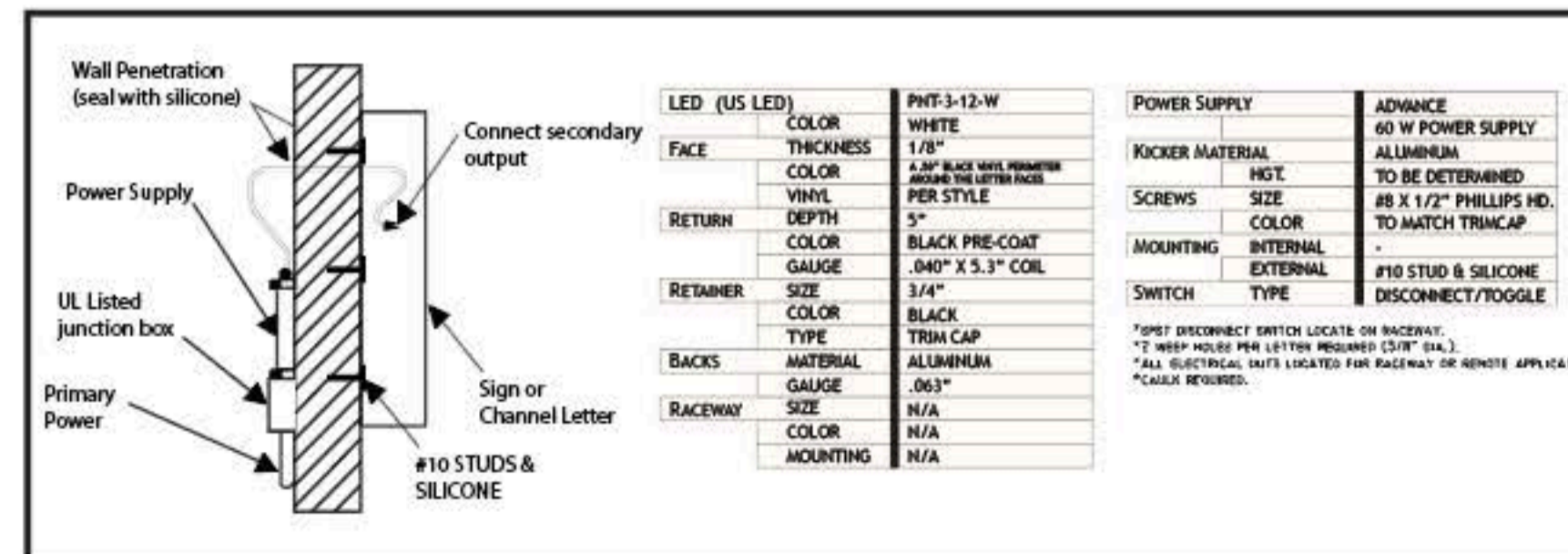
FILE NAME: JJCL2.AI



JIMMY JOHN'S

NOTES:

- RED COLOR FOR JJ IS PANTONE 186 (NO OTHER SUBSTITUTE MAY BE USED!)
- DO NOT STRETCH ARTWORK TO FIT – ENLARGE PROPORTIONATELY
- DO NOT USE ANY FONTS TO PRODUCE THE SIGNAGE (ONLY SUPPLIED ARTWORK MAY BE USED)
- DISK TO ALWAYS BE CENTERED VERTICALLY.
- CENTER ALL COMPONENTS IN DESIGNATED SIGN AREA
- IF YOU HAVE ANY QUESTIONS CONTACT JJ SIGNAGE DEPARTMENT AT 217-356-9900



SCALE 3/4" = 1'
11.29.16 CP

ILLUMINATED CABINET SIGN – LOGO

THIS ARTWORK IS THE MINIMUM SIZE THE SIGNAGE CAN BE FOR THIS LAYOUT.

FILE NAME: JJC1.AI



NOTES:

RED COLOR FOR JJ IS PANTONE 186 (NO OTHER SUBSTITUTE MAY BE USED!)

DO NOT STRETCH ARTWORK TO FIT – ENLARGE PROPORTIONATELY

DO NOT USE ANY FONTS TO PRODUCE THE SIGNAGE (ONLY SUPPLIED ARTWORK MAY BE USED)

CENTER ALL COMPONENTS IN DESIGNATED SIGN AREA

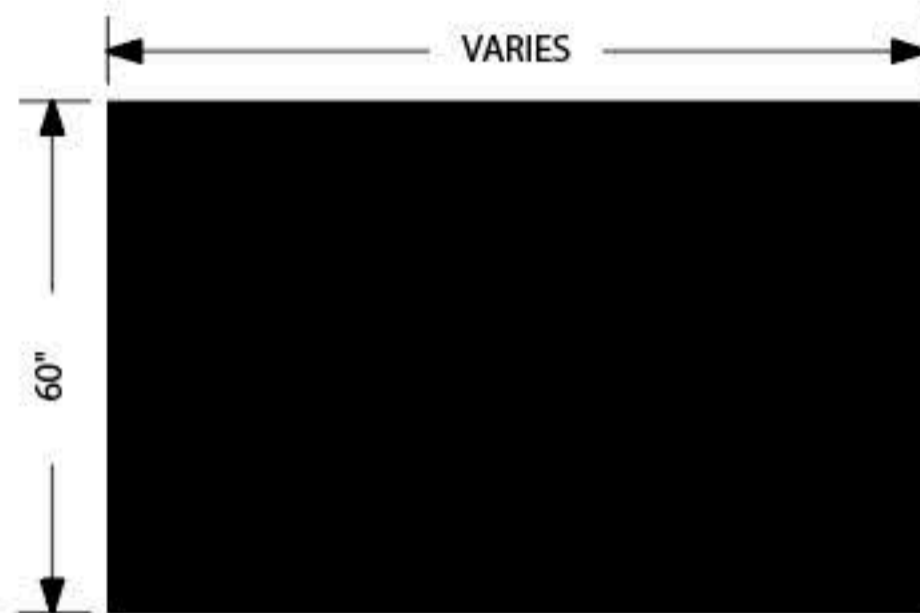
IF YOU HAVE ANY QUESTIONS CONTACT JJ SIGNAGE DEPARTMENT AT 217-356-9900

SCALE 1 1/2" = 1'
11.29.16 CP

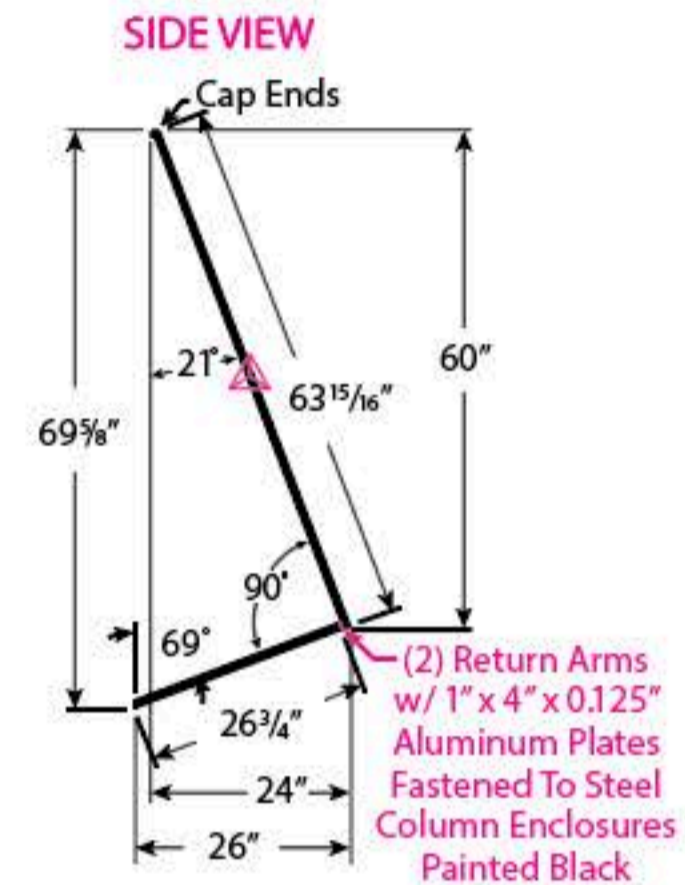
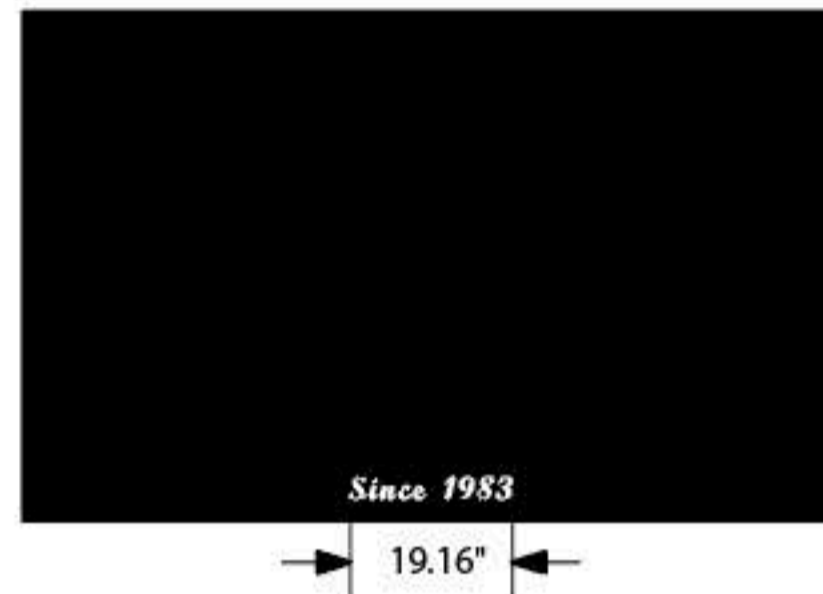
REQUIRED AWNING & WINDOW GRAPHICS FOR 210 FREE STANDING BUILDING

THIS ARTWORK IS THE MINIMUM SIZE THE SIGNAGE CAN BE FOR THIS LAYOUT.

FILE NAME: JJA3.AI



OVER DOORS ONLY



WINDOW GRAPHICS:

LETTERS VARY IN HEIGHT, A TEMPLATE MUST BE MADE AND USED
 TEXT IS TO BE CENTER ALIGNED ON THE SIGN (LETTERS VARY IN HEIGHT)
 TEXT IS MADE OUT OF 1/4" THICK SINTRA OR ACRYLIC MATERIAL ATTACHED WITH VHB TAPE



NOTES:

RED COLOR FOR JJ IS PANTONE 186 (NO OTHER SUBSTITUTE MAY BE USED!)
 DO NOT STRETCH ARTWORK TO FIT - ENLARGE PROPORTIONATELY
 DO NOT USE ANY FONTS TO PRODUCE THE SIGNAGE (ONLY SUPPLIED ARTWORK MAY BE USED)
 CENTER ALL COMPONENTS IN DESIGNATED SIGN AREA
 THE COLORS FOR THE AWNING FABRIC MUST BE SUNBRELLA BLACK #4608
 AWNING GRAPHICS MUST BE APPLIED USING SUNBRELLA GRAPHICS SYSTEM WITH 3M VINYL
 IF YOU HAVE ANY QUESTIONS CONTACT JJ SIGNAGE DEPARTMENT AT 217-356-9900

SCALE 3/8" = 1'
 03.30.16 JGK

PYLON INSERTS/BOX SIGNS – LOGO WITH DRIVE THRU

THIS ARTWORK IS THE MINIMUM SIZE THE SIGNAGE CAN BE FOR THIS LAYOUT.

FILE NAME: JJP6.AI



NOTES:

RED COLOR FOR JJ IS PANTONE 186 (NO OTHER SUBSTITUTE MAY BE USED!)

DO NOT STRETCH ARTWORK TO FIT – ENLARGE PROPORTIONATELY

DO NOT USE ANY FONTS TO PRODUCE THE SIGNAGE (ONLY SUPPLIED ARTWORK MAY BE USED)

JIMMY JOHN'S LOGO AND TEXT TO ALWAYS BE CENTERED AS SHOWN

CENTER ALL COMPONENTS IN DESIGNATED SIGN AREA

IF YOU HAVE ANY QUESTIONS CONTACT JJ SIGNAGE DEPARTMENT AT 217-356-9900

SCALE 1" = 1'
11.29.16 CP